

NIELIT, Gorakhpur

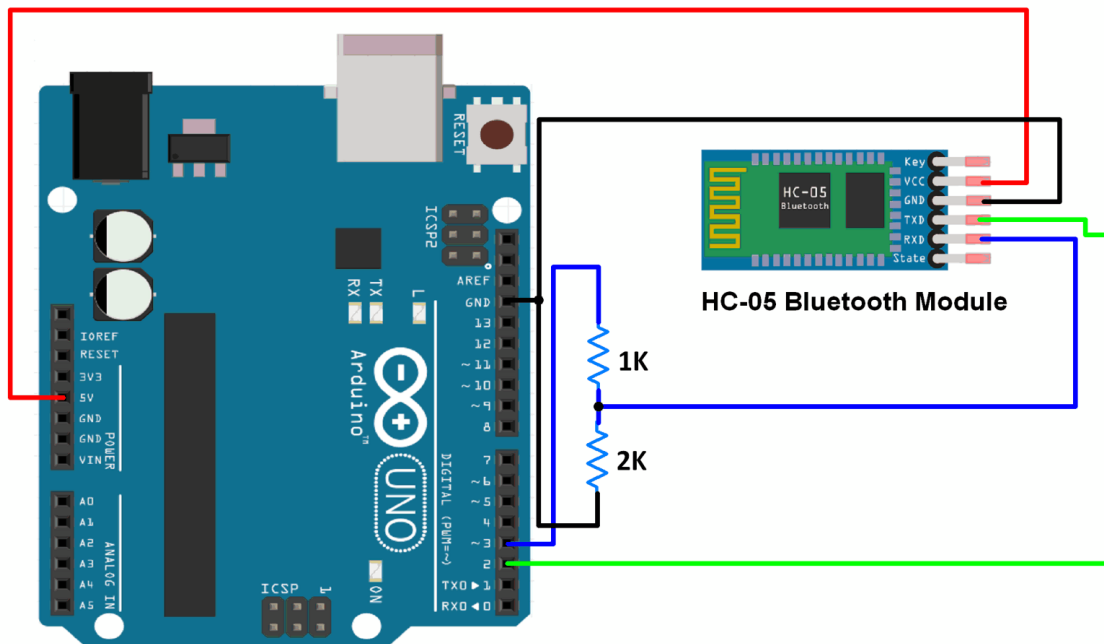
Course Name: A-level (1st Sem.)

Subject: IoT

Topic: HC-05 Interfacing with Arduino Cont.

Date: 29.04.2020

Interfacing Diagram



Interfacing HC-05 Bluetooth Module with Arduino UNO

Note : Default Bluetooth name of the device is “HC-05” and default PIN (password) for connection is either “0000” or “1234”.

Example

Here, we will transmit data from Smartphone via Bluetooth to the Arduino Uno and display it on Serial Monitor of PC.

Download and install a **Bluetooth terminal** application on your phone and use it to connect to the HC-05 Bluetooth module.

Data is sent from the Smartphone using the **Bluetooth terminal** application.

Sketch for Displaying Data Received Via Bluetooth On Serial Monitor

```
#include<SoftwareSerial.h>

/* Create object named bt of the class SoftwareSerial */
SoftwareSerial bt(2,3); /* (Rx,Tx) */

void setup() {
  bt.begin(9600); /* Define baud rate for software serial communication */
  Serial.begin(9600); /* Define baud rate for serial communication */
}

void loop() {
  if (bt.available()) /* If data is available on serial port */
  {
    Serial.write(bt.read()); /* Print character received on to the serial monitor */
  }
}
```